



TMX C-SEAL

Talon Innovations
1003 Industrial Drive South
Sauk Rapids, MN 56379

Phone: 320-251-0390
Fax: 320-251-5810

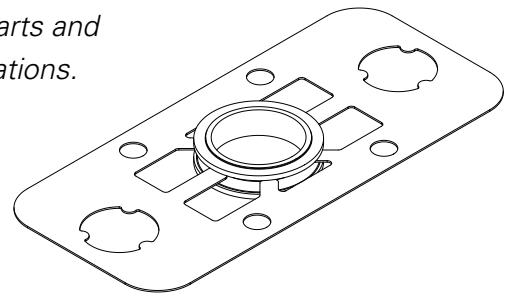
sales@taloneng.com
www.taloneng.com

New Product

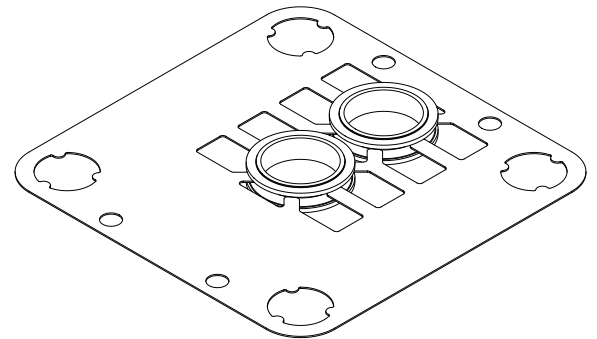
The Talon TMX C-Seal sets a new standard in C-Seal reliability.

Proven high success rates on first-time sealing means greater efficiency and productivity for you. Using innovation with precision to provide the highest quality parts and components for your processes—Talon Innovations.

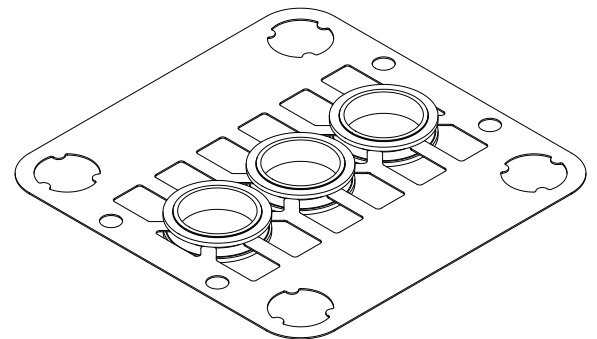
- Field proven reliable seal with large global install base.
- Highly manufacturable design leads to more repeatable first-time sealing rates than radially drilled seals.
- “Super finished” seal dam produces less damage to seal surfaces.
- Use indicating to prevent re-use in the field.
- Independently tested for make-and-break reliability.
- Burst tested in excess of 15,000 psi
- High Flow, Standard Flow and Custom Flow sizes available.
- Interface sizes: 1.5", 1.125", MFC and custom
- Material: 316L VIM/VAR Electro-polished or Nickel 200
- Exceeds industry standard leak rate of 1×10^{-9} SCC/sec. He
- Non-particulating
- In-stock for immediate shipment.



TMX-18-01-S 316L
TMX-18-01-N NICKEL 200



TMX-18-02-S 316L
TMX-18-02-N NICKEL 200



TMX-18-03-S 316L
TMX-18-03-N NICKEL 200

New Product